

SQUARE TRIM SUBMITTAL : DIMENSIONS

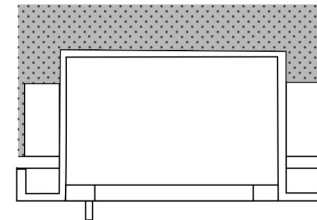
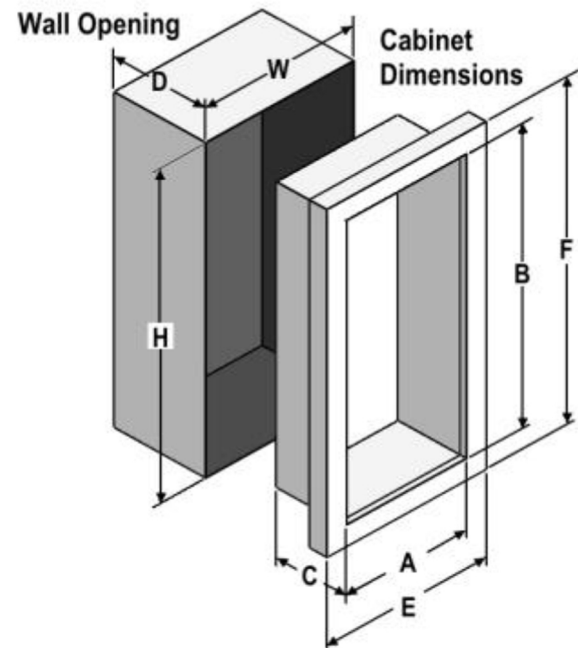
TRIM & DOOR SERIES #		Tub I.D.			Frame O.D.		Wall Opening		
Model	Trim Style	A	B	C	E	F	W	H	D
18X6	1-1/2" Square	10 1/2	24	5 1/2	13 7/8	27 3/8	11 1/2	25	4 1/8
10X6	1-1/2" Square	10 1/2	24	6	13 7/8	27 3/8	11 1/2	25	4 5/8
20X6	1-1/4" Square	12	27	7 3/4	15 3/8	30 3/8	13	28	6 5/8
30X6	1-1/4" Square	16	32	7 3/4	19 3/8	35 3/8	17	33	6 5/8
40X6	1-1/4" Square	20	27	7 3/4	23 3/8	30 3/8	21	28	6 5/8

ROLLED TRIM SUBMITTAL : DIMENSIONS

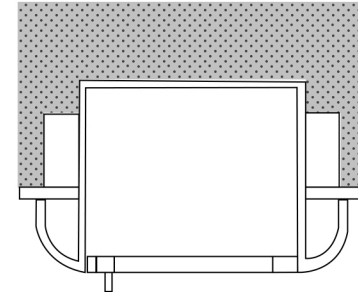
TRIM & DOOR SERIES #		Tub I.D.			Frame O.D.		Wall Opening		
Model	Trim Style	A	B	C	E	F	W	H	D
20X7	2-1/2" Rolled	12	27	7 3/4	15 3/8	30 3/8	13	28	5 5/8
30X7	2-1/2" Rolled	16	32	7 3/4	19 3/8	35 3/8	17	33	5 3/8
40X7	2-1/2" Rolled	20	27	7 3/4	23 3/8	30 3/8	21	28	5 3/8
18X7	3" Rolled	10 1/2	24	5 1/2	13 7/8	27 3/8	11 1/2	25	2 5/8
10X7	3" Rolled	10 1/2	24	6	13 7/8	27 3/8	11 1/2	25	3 1/8
18X8	4-1/2" Rolled	10 1/2	24	5 1/2	13 7/8	27 3/8	11 1/2	25	1 1/8
10X8	4-1/2" Rolled	10 1/2	24	6	13 7/8	27 3/8	11 1/2	25	1 5/8
20X8	4-1/2" Rolled	12	27	7 3/4	15 3/8	30 3/8	13	28	3 3/8
30X8	4-1/2" Rolled	16	32	7 3/4	19 3/8	35 3/8	17	33	3 3/8
40X8	4-1/2" Rolled	20	27	7 3/4	23 3/8	30 3/8	21	28	3 3/8

ROLLED-FLUSH PULL TRIM SUBMITTAL : DIMENSIONS

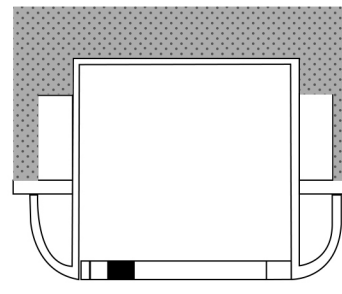
TRIM & DOOR SERIES #		Tub I.D.			Frame O.D.		Wall Opening		
Model	Trim Style	A	B	C	E	F	W	H	D
18X2	Rolled-Flush Pull	10 1/2	24	5 1/2	13 7/8	27 3/8	11 1/2	25	1 7/8
10X2	Rolled-Flush Pull	10 1/2	24	6	13 7/8	27 3/8	11 1/2	25	2 3/8
20X2	Rolled-Flush Pull	12	27	7 3/4	15 3/8	30 3/8	13	28	4 1/8
30X2	Rolled-Flush Pull	16	32	7 3/4	19 3/8	35 3/8	17	33	4 1/8
40X2	Rolled-Flush Pull	20	27	7 3/4	23 3/8	30 3/8	21	28	3 3/8



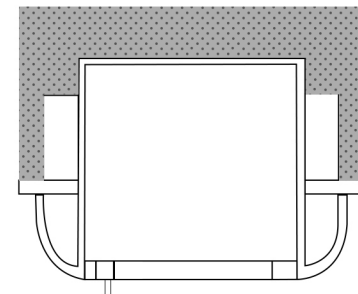
1-1/2" Square Trim



2-1/2, 3" Rolled Edge



4" Rolled-Flush Pull



4.5" Rolled Edge